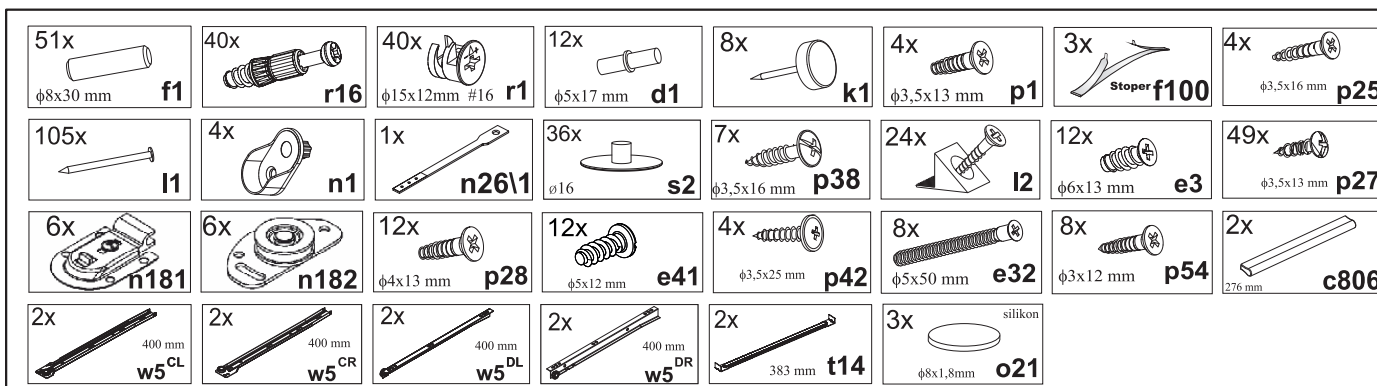
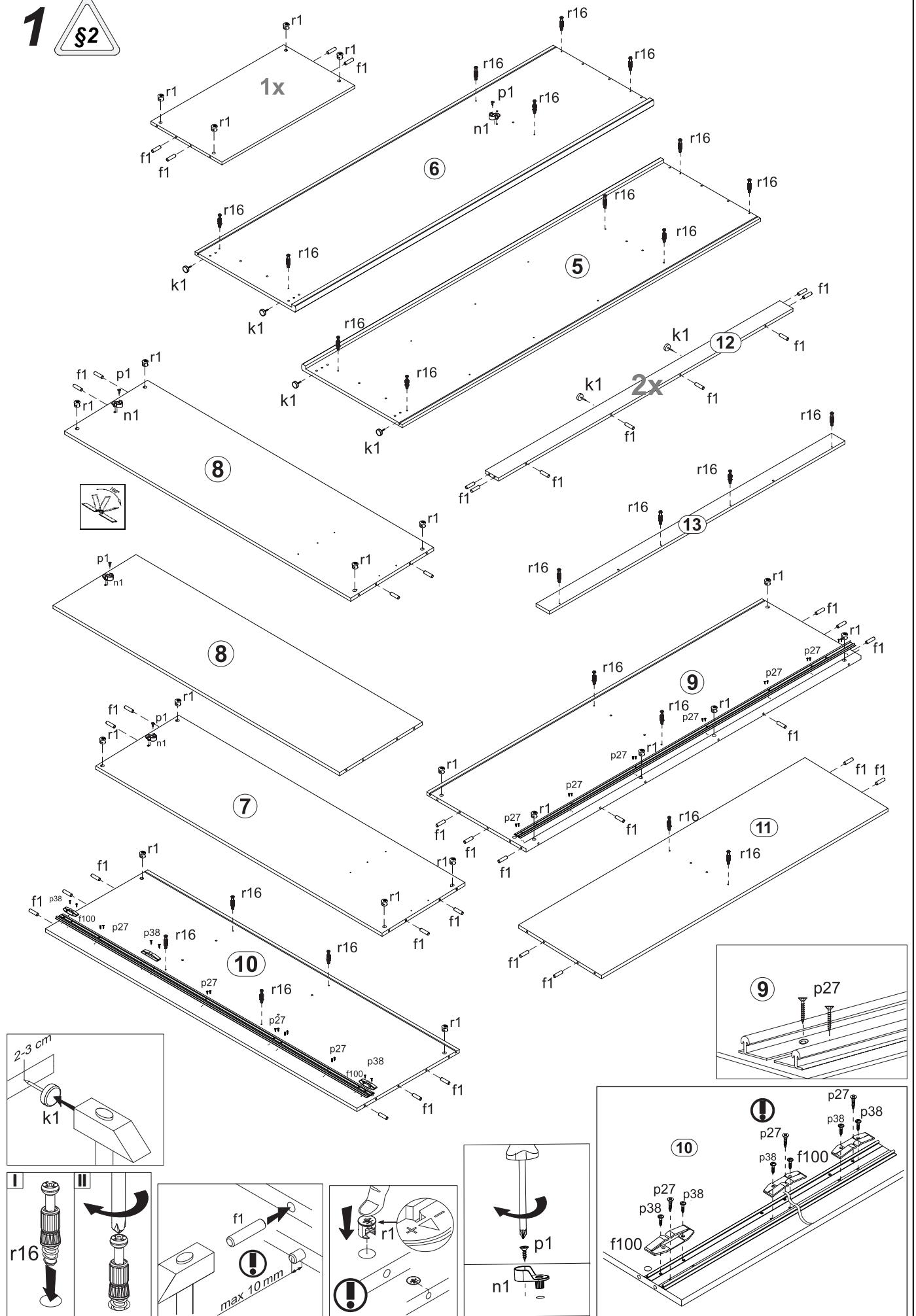
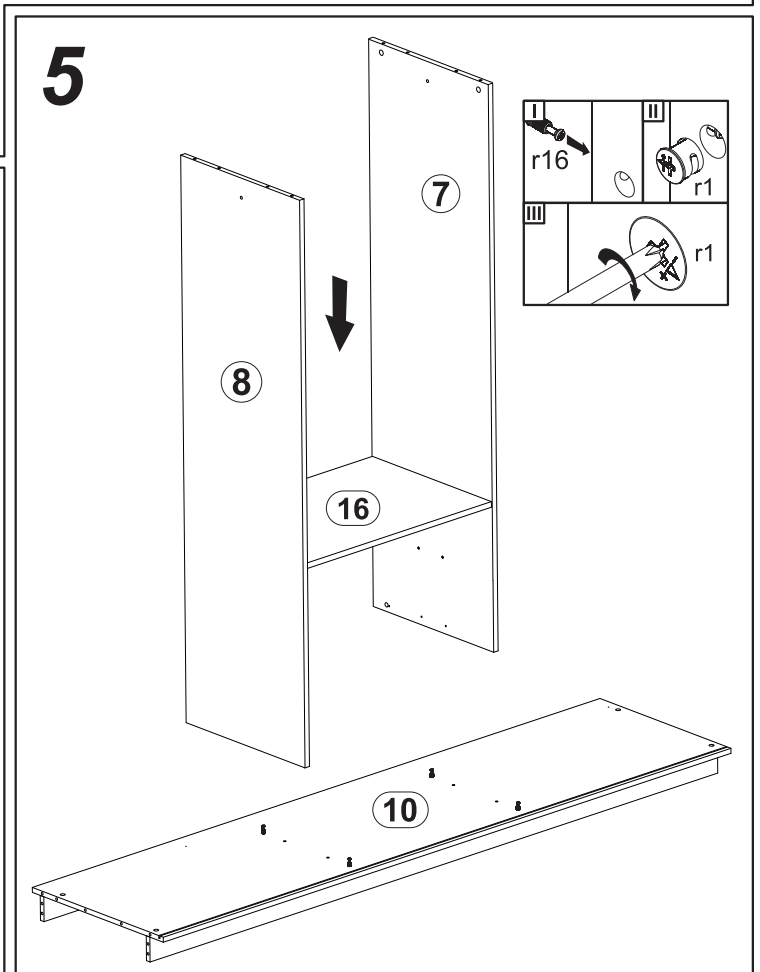
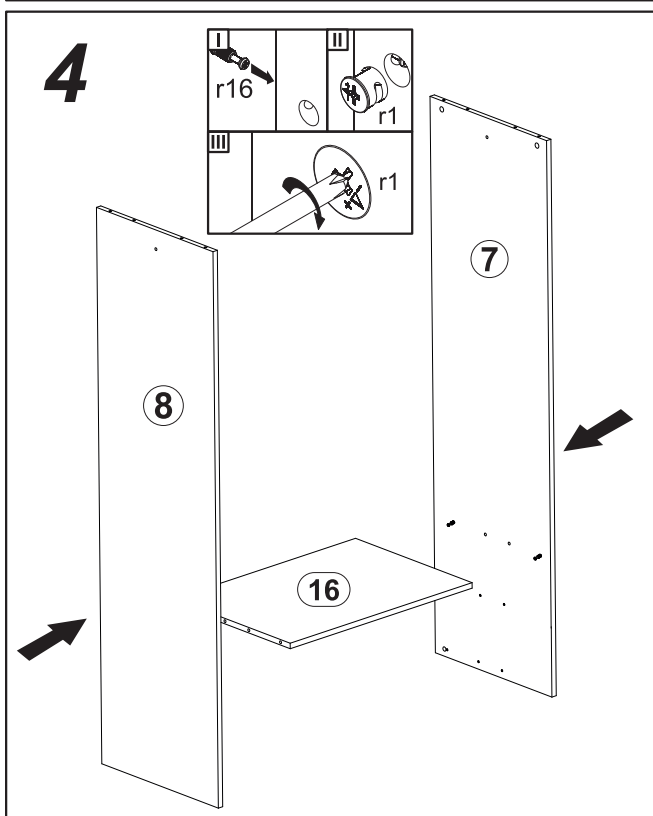
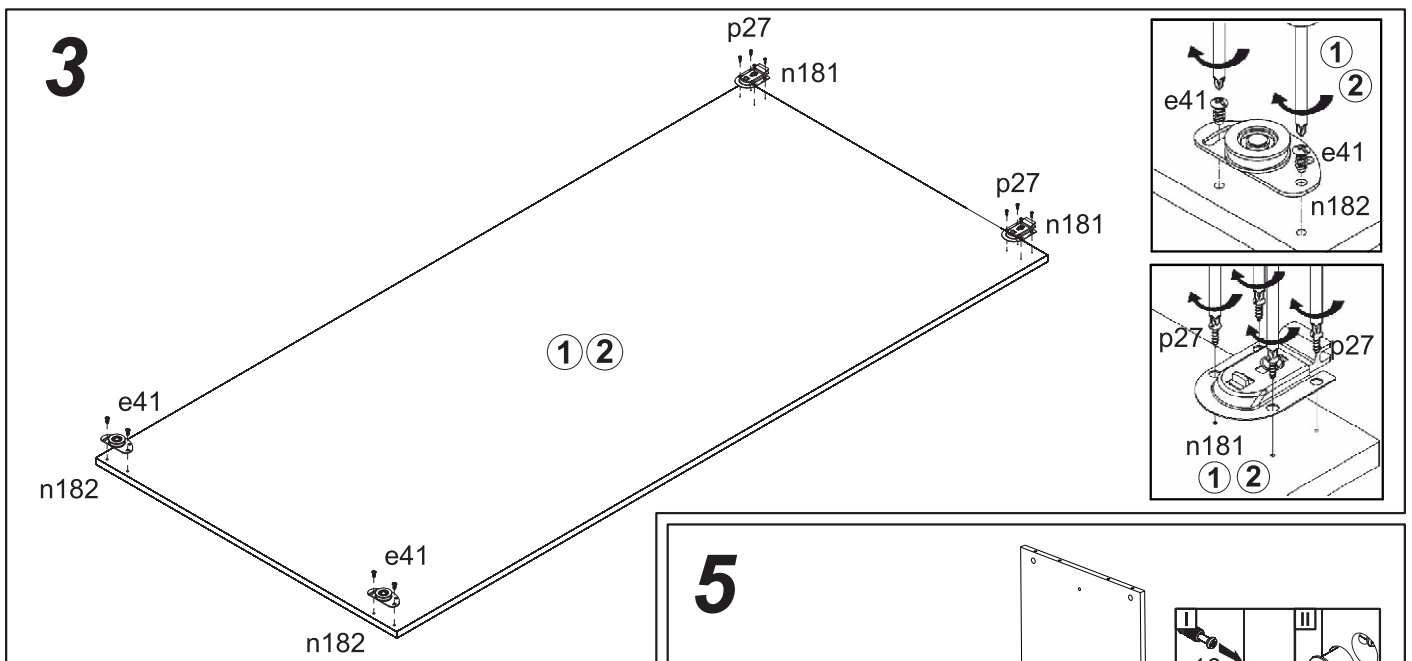
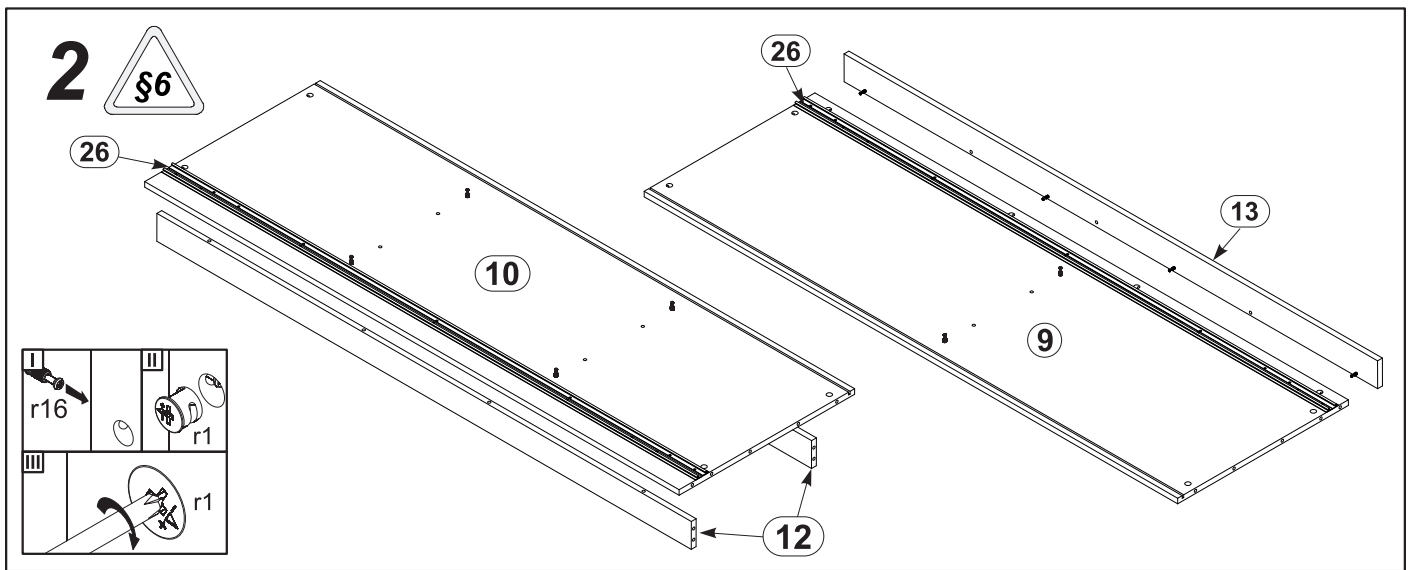


A	B	C		D	A	B	C		D
1	KR1-012	2029	796	4/5	14	KR1-108	407	460	3/5
2	KR1-013	2029	796	4/5	15	KR1-312	802	455	3/5
3	KR1-010	2029	796	5/5	16	KR1-313	670	460	3/5
4	KR1-014	664	175	3/5	17	KR1-503	400	120	3/5
5	KR1-104	2155	608	1/5	18	KR1-504	400	120	3/5
6	KR1-105	2155	608	1/5	19	KR1-505	613	120	3/5
7	KR1-107	1619	460	1/5	20	KR1-905	449	628	3/5
8	KR1-109	1619	460	1/5	21	KR1-903	2056	817	5/5
9	KR1-310	2308	566	2/5	22	KR1-904	2056	686	5/5
10	KR1-309	2308	583	2/5	23	LH-406	406	14	5/5
11	KR1-311	2308	460	2/5	24	DR-799	798		1/5
12	KR1-405	2308	80	2/5	25	DR-665	665		1/5
13	KR1-406	2308	80	2/5	26		2307		2/5

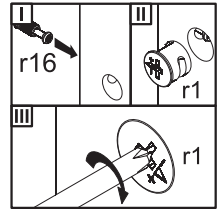
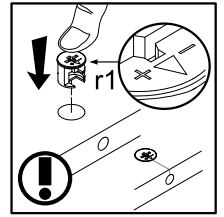
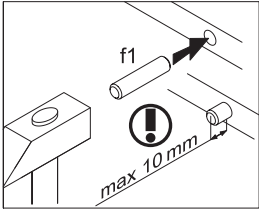
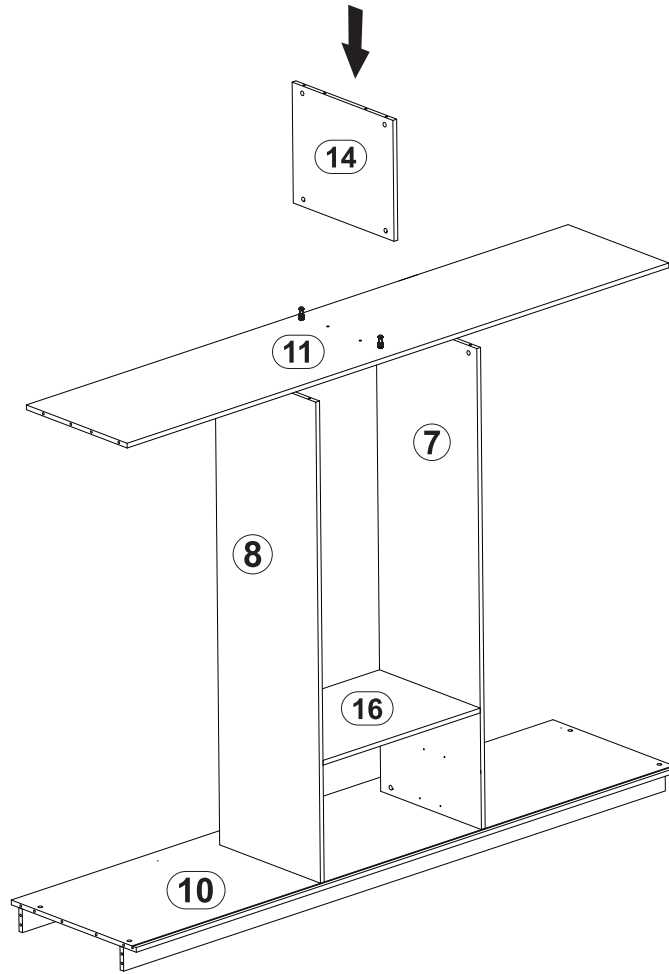
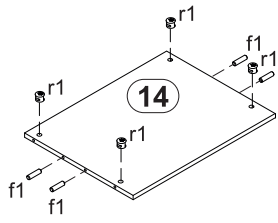


1

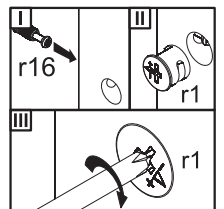
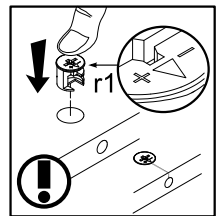
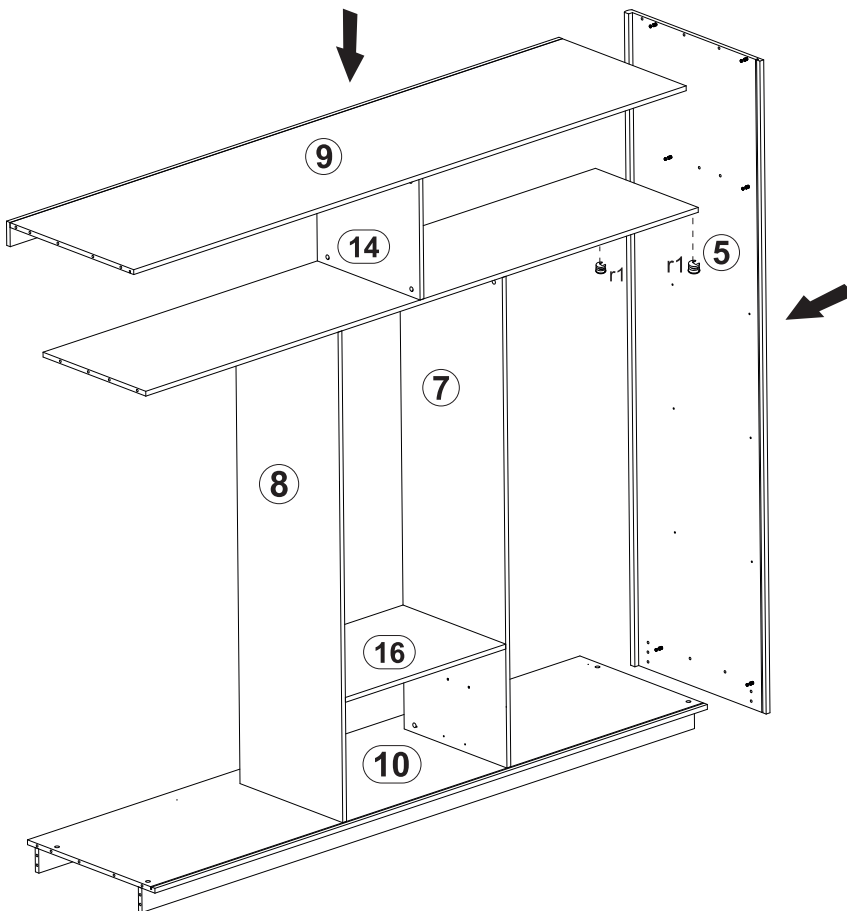




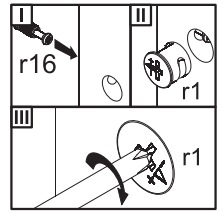
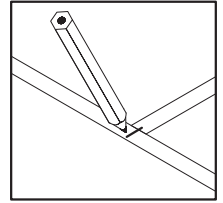
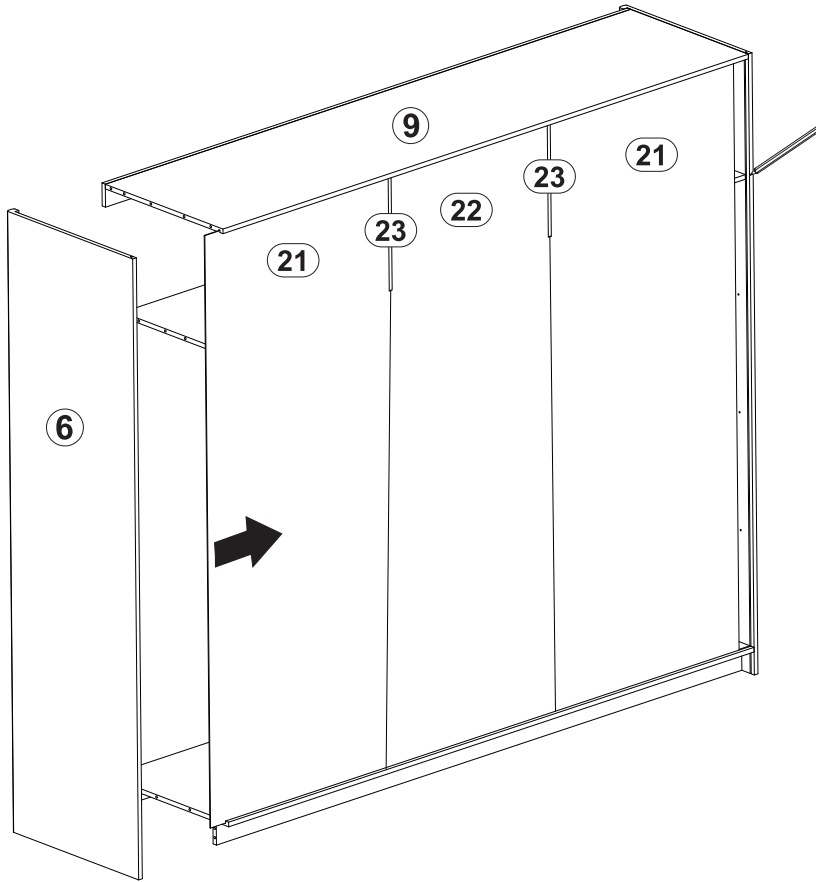
6



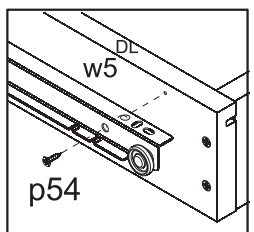
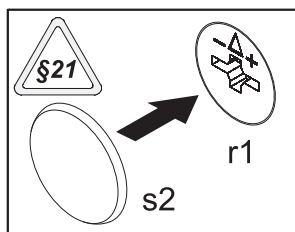
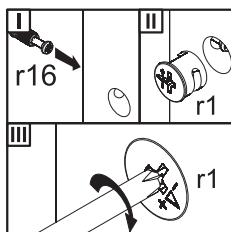
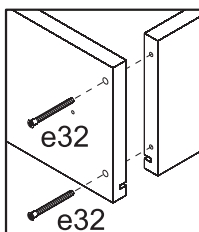
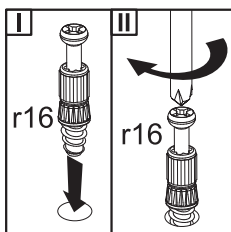
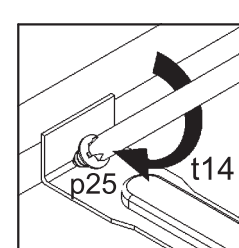
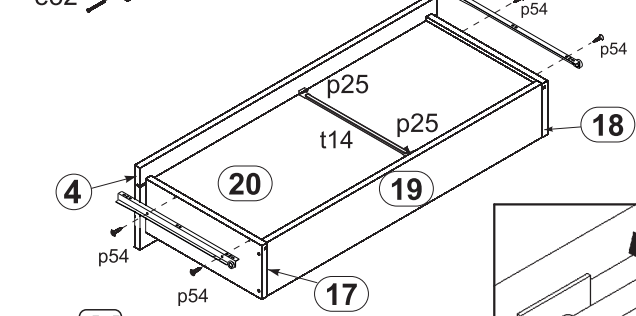
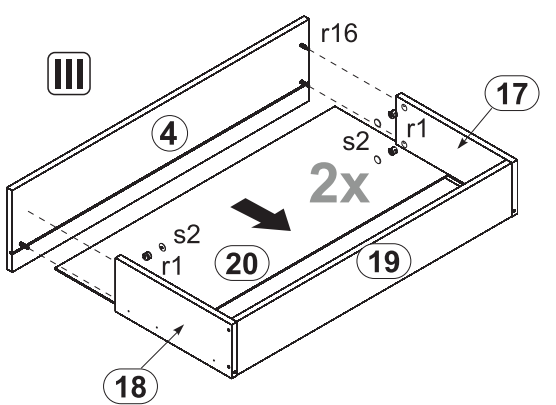
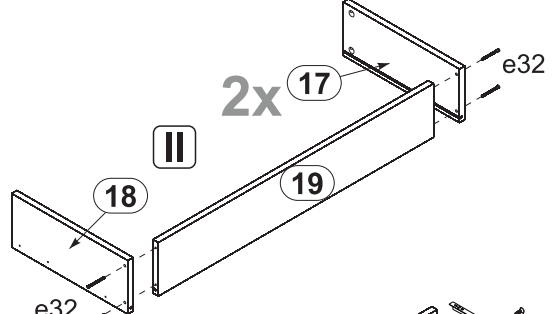
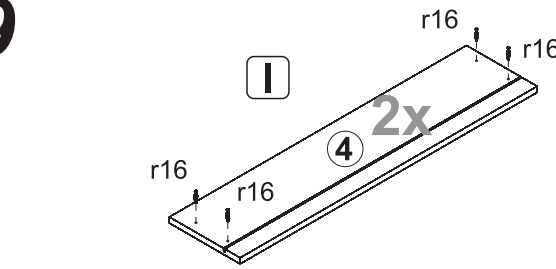
7



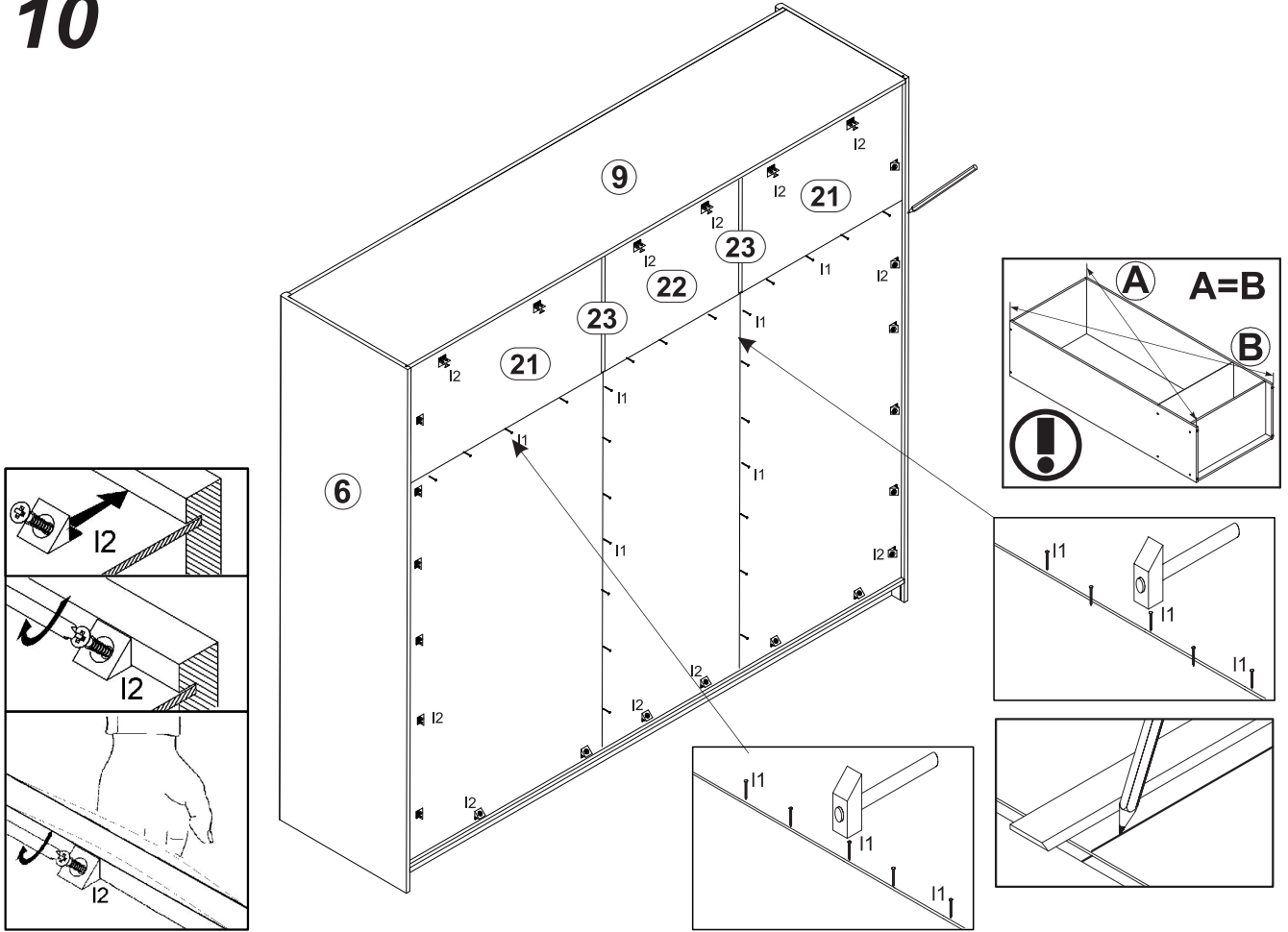
8



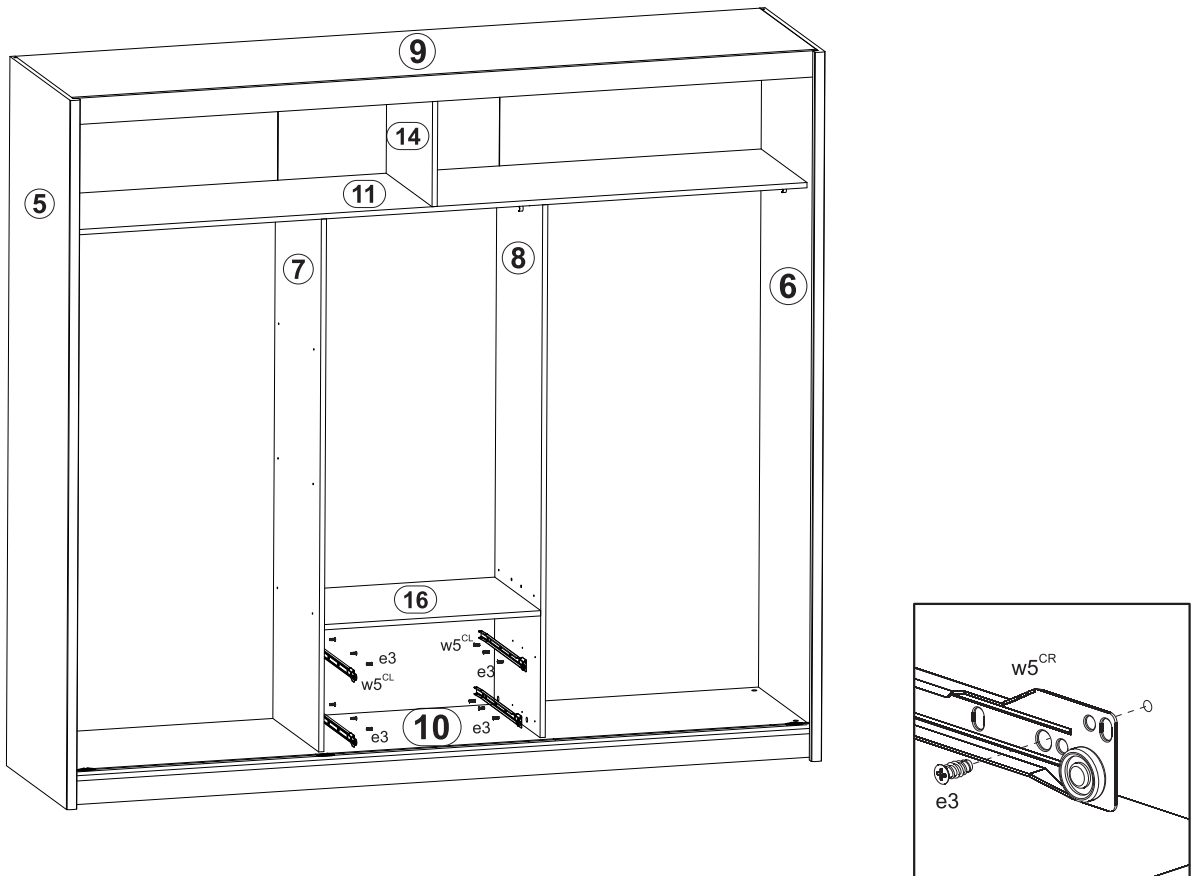
9



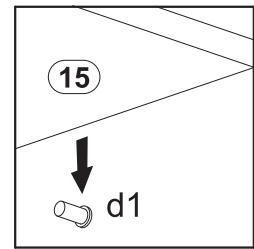
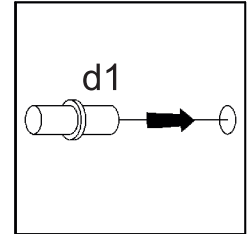
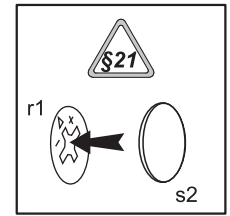
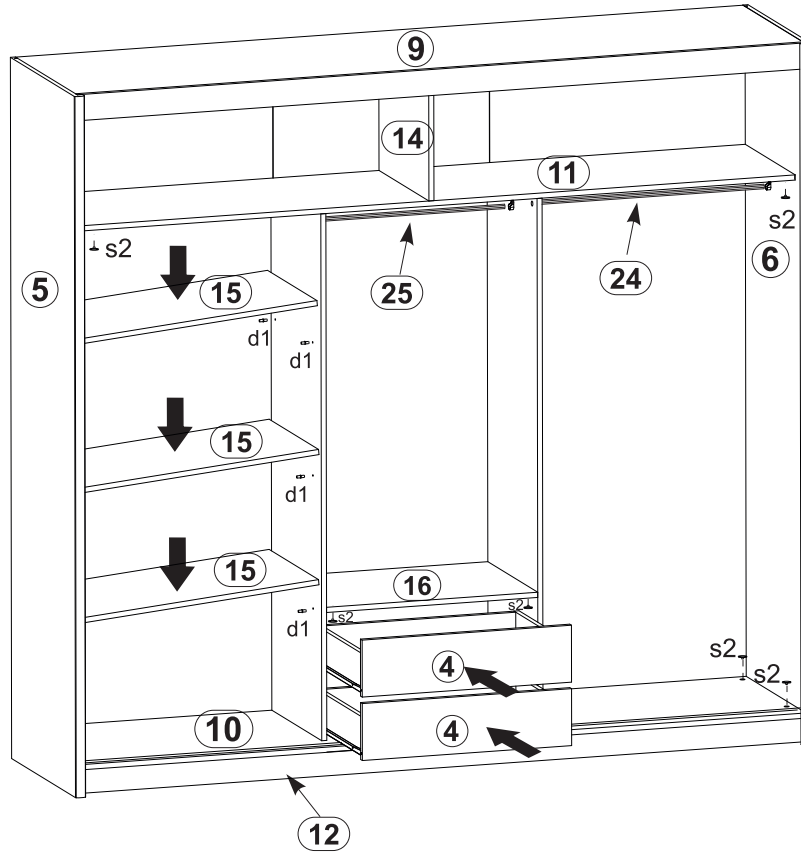
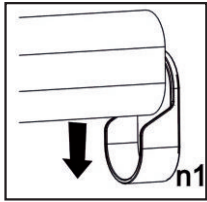
10



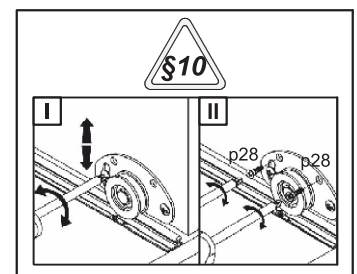
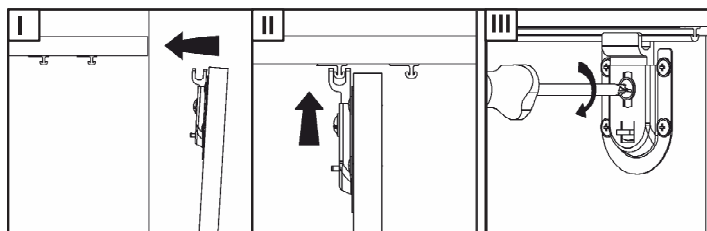
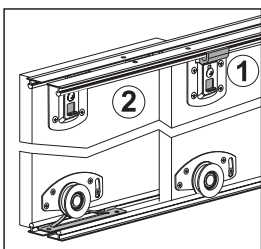
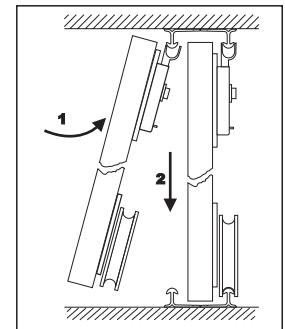
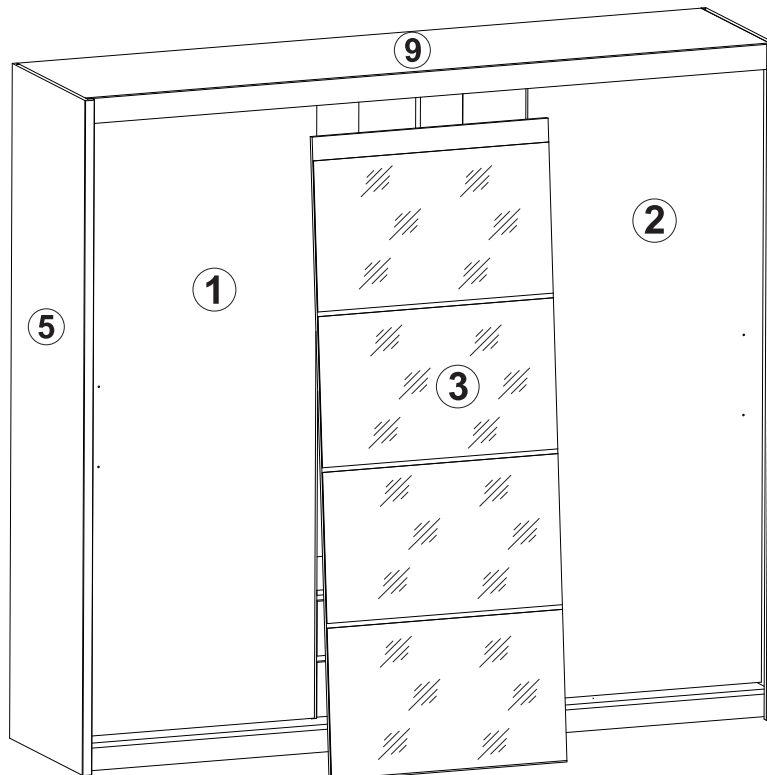
11



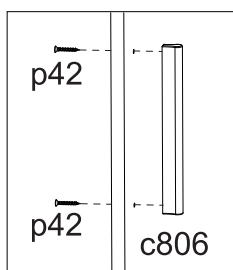
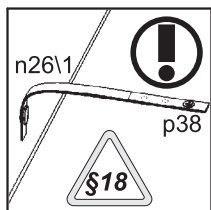
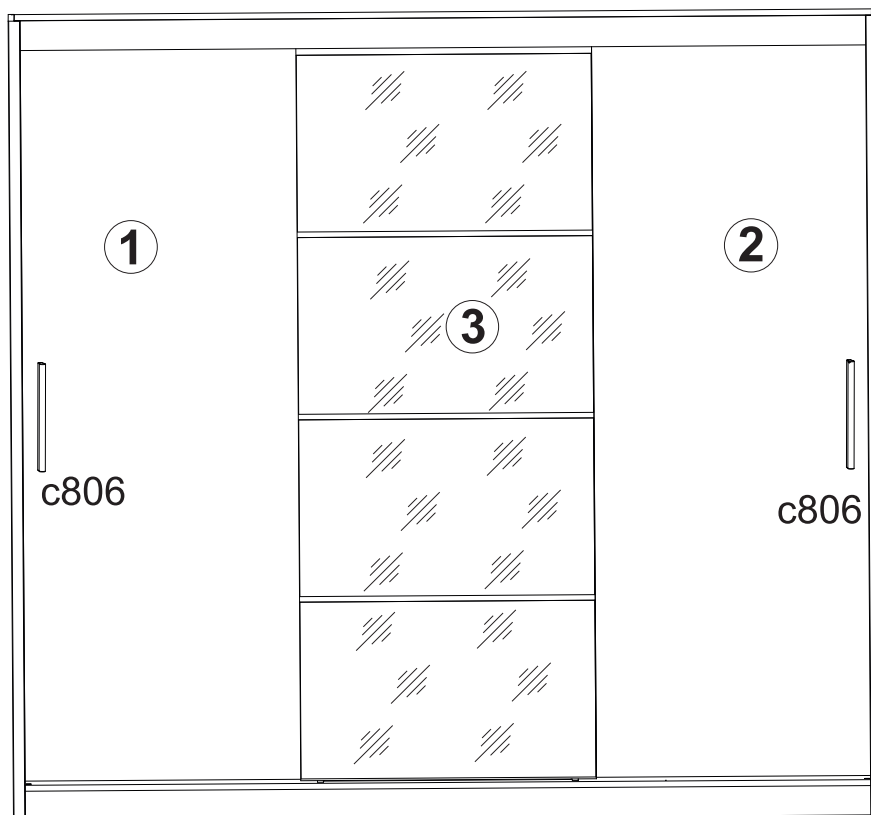
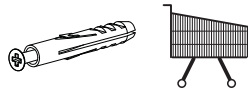
12



13



14



15

